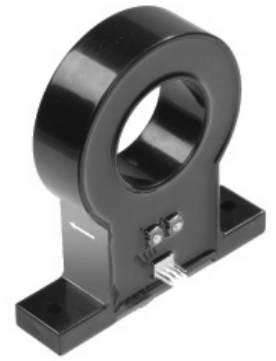


Hall Current Sensor HIEM-DC-2000EB

For the electronic measurement of currents: DC, AC, pulsed, mixed, with a galvanic isolation between the primary circuit (high power) and the secondary circuit (electronic circuit).



Electrical data

TYPE		DC-400EB	DC-800EB	DC-1200B	DC-1600EB	DC-2000EB
parameter	sign					
Primary nominal r.m.s. current	I_{PN}	400A	800A	1200A	1600A	2000A
Primary current measuring range	I_P	0~800A	0~1600A	0~2400A	0~3200A	0~4000A
Secondary nominal RMS voltage	V_{SN}	4V±1%				
Supply voltage	V_C	±15V±5%				
Zero offset voltage@ $I_{PN}=0$, $T_A=25^\circ\text{C}$	V_0	within±25mV				
Thermal drift of offset voltage@ $I_{PN}=0$	V_{OT}	within±1mV/°C				
Linearity of V_{SN} at $I_{PN}=F.S$	ϵ_L	within±1%F.S				
Response time	T_r	<7μs				
R.m.s. voltage for AC isolation test	V_d	2.5KV/50Hz/1min				
Ambient operating temperature	T_a	-10~+70° C E:-40~+85° C				
Ambient storage temperature	T_s	-40~+85° C E:-55~+125° C				

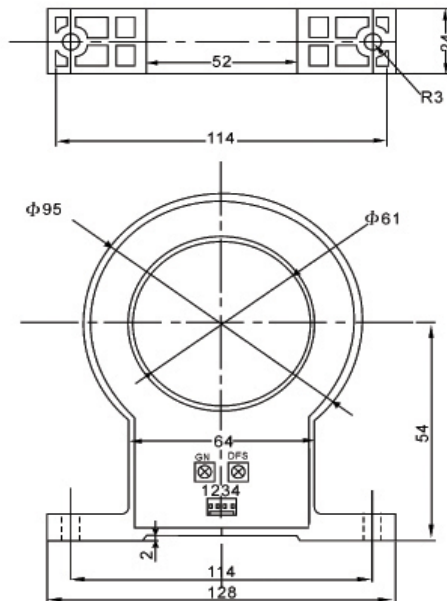
Features

1. Closed loop (compensated) multirange current sensor using the Hall effect
2. Small size and space saving
3. Very low temperature drift
4. Wide frequency bandwidth
5. High immunity to external interference

Applications

1. AC variable speed drives and serve motor drives
2. Uninterruptible Power Supplies (UPS)
3. Battery supplied applications
4. Power supplies for welding applications.

Dimension(mm)



Pin Identification

- 1: +15V
- 2: -15V
- 3: V_{OUT}
- 4: GND

